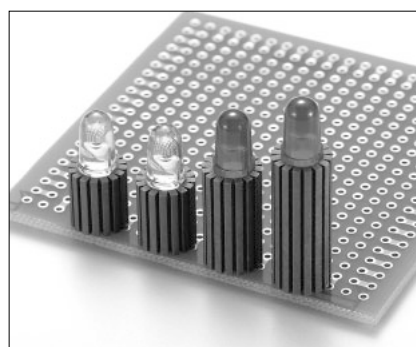


# LMC Series / Heat-Release LED Spacer (10/pack)

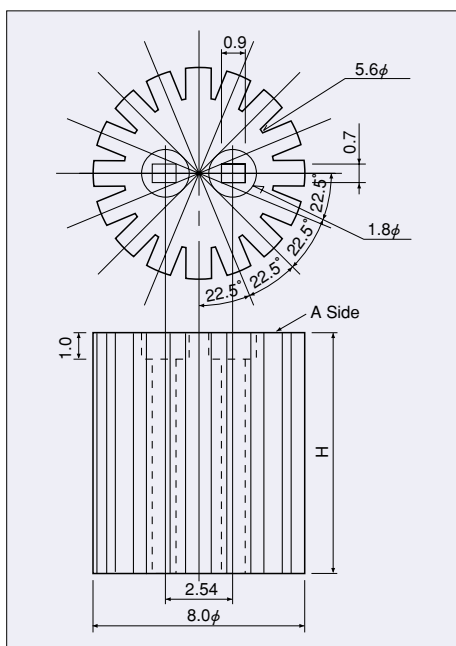
- Can lower peak heat-temperature of LED (down 7-20%)
- Can extend LED lifetime
- Material.....Special PPS Black (UL94V-0)
- Heat Conductivity.....5W/m·k
- Reflow.....Possible
- Operating Temperature.....-40~+125°C
- Adaptive LED.....3 φ, 5 φ LED
  - Pitch.....2.54mm、2.5mm
  - Diameter...0.5□, 0.5 φ, 0.6□ and below,  
0.6 φ and below

PAT.P



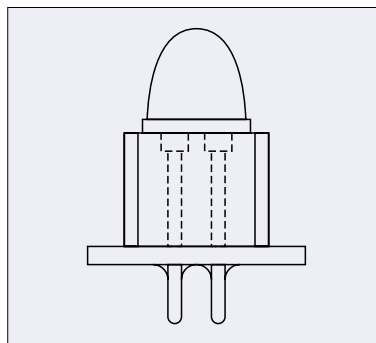
N/O	H
LMC-7	7
LMC-8	8
LMC-9	9
LMC-10	10
LMC-11	11
LMC-12	12
LMC-13	13
LMC-14	14
LMC-15	15
LMC-20	20

## Dimensions



## Notice:

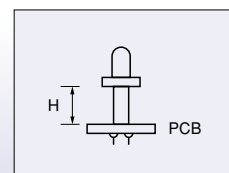
Please insert LED from A side, and make LED contact with the Spacer



## Heat-Release Test Data: Maximum Temperature

H (mm)	No Spacer	With LMC	Difference
7	76°C	67°C	- 9°C
10	75°C	65°C	- 10°C
15	79°C	65°C	- 14°C
20	82°C	65°C	- 17°C

(This is reference value, not guaranteed value)



# MAC8

No.1 distributor of MAC8

**SHINDENKIZAI Co., LTD.**

Contact

e-mail: sdk@mac8sdk.co.jp FAX: +81-3-3253-5965

[http://www.mac8sdk.co.jp/index\\_e.html](http://www.mac8sdk.co.jp/index_e.html)

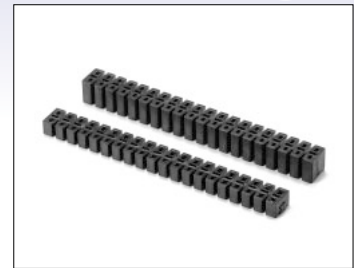
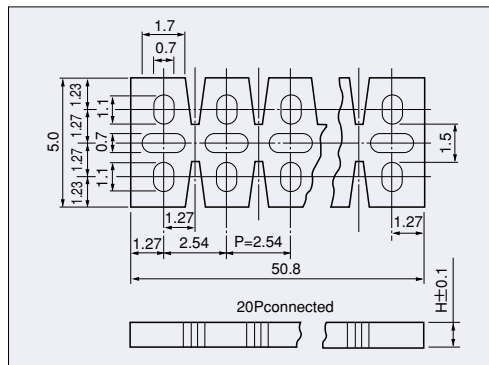
# LR Series, LW-1 / LED Spacer

## Connected LED Spacer [LR Series] (10pcs/package)

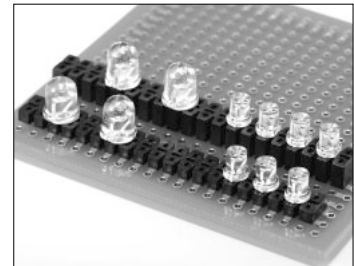
PAT

- For 3 φ & 5 φ LED
- Pitch: 2.54mm×20P
- Can make the number of connections by yourself (from 1P to 20P)
  - ※ Can cut it by nipper
- Can place LED vertically and horizontally
- Can use for 2 and 3 terminal LED
- Material.....PCT Plastic (UL94V-0)
- Color.....Black
- Operating Temperature.....-40~+125°C

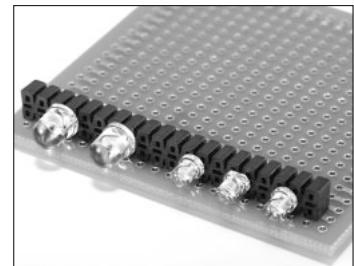
N/O	H (mm)
LR-1	1.0
LR-1.5	1.5
LR-2	2.0
LR-2.5	2.5
LR-3	3.0
LR-3.5	3.5
LR-4	4.0
LR-4.5	4.5
LR-5	5.0
LR-5.5	5.5
LR-6	6.0



■ Horizontal



■ Vertical



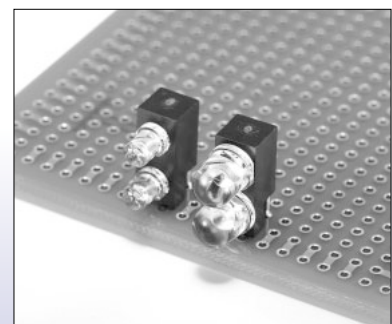
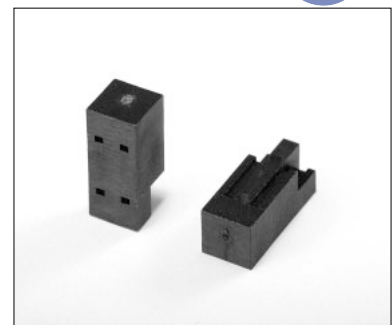
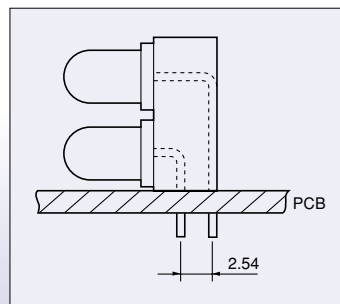
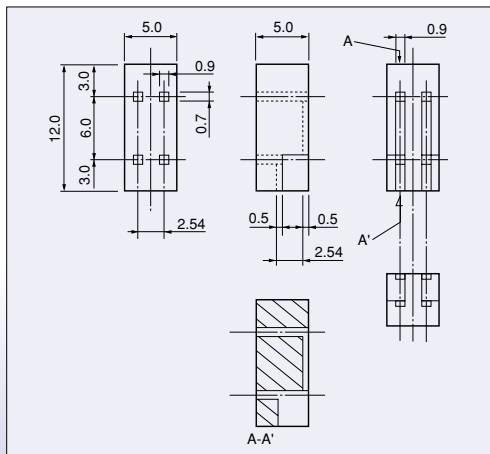
- You can order the number of connections you prefer.
- LR-6-5P

※ Standard Type=20P

## LED Spacer (Double type) [LW-1] (100pcs/package)

PAT

- Can use for 3 & 5 φ LED
- Insert terminal of LEDs into the holes and bend them at right angle.
- Material.....PBT Plastic (UL94V-0)
- Color.....Black
- Operating Temperature.....-40~+125°C
  - ※ You can select this triple type: LWT series



**MAC8** No.1 distributor of MAC8  
**SHINDENKIZAI Co., LTD.**  
 Contact  
 e-mail: sdk@mac8sdk.co.jp FAX: +81-3-3253-5965

[http://www.mac8sdk.co.jp/index\\_e.html](http://www.mac8sdk.co.jp/index_e.html)