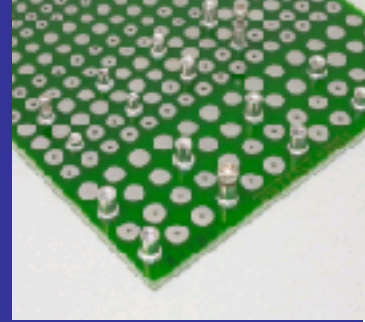


SSA Series (M3,M2.6,M2)



Tapped Spacer for SMT !!

Taping type has adsorption cap for vacuum pick. It needs to be removed after reflow.

Material: Brass

Finish: Sn plating over Ni

TAP

M3:P=0.5 M2.6=0.45 M2=0.4

Recommendation Cream Solder Thickness
150-200u

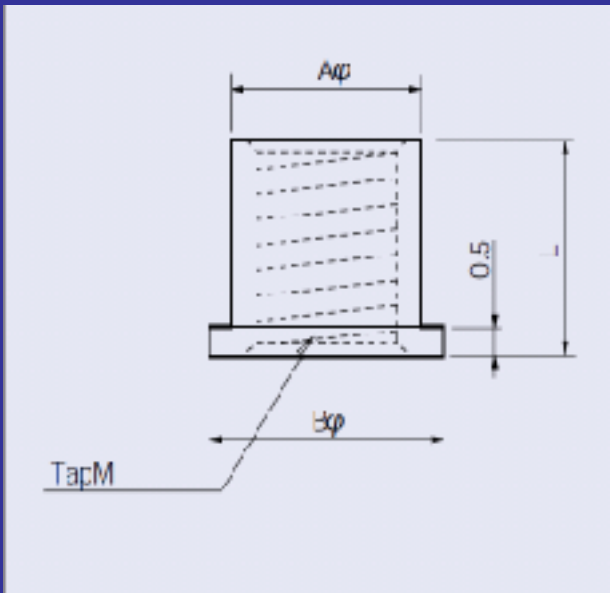
Recommendation Land Diameter

3SSA - 5.5

2.6SSA - 5.0

2SSA - 4.5

P/N	A	B	L	M
3SSA-25	40	50	25	M3
30	40	50	30	M3
35	40	50	35	M3
40	40	50	40	M3
45	40	50	45	M3
50	40	50	50	M3
2.6SSA-25	35	45	25	M2.6
30	35	45	30	M2.6
35	35	45	35	M2.6
40	35	45	40	M2.6
45	35	45	45	M2.6
50	35	45	50	M2.6
2SSA-20	30	40	20	M2
25	30	40	25	M2
30	30	40	30	M2
35	30	40	35	M2
40	30	40	40	M2
45	30	40	45	M2
50	30	40	50	M2



*Bulk type (100pcs/pack) is available (it does not have adsorption cap)

If you need official spec sheet.

Please contact:

sdk@mac8sdk.co.jp

MAC8 Official Distributor

Shindenkizai Co.,Ltd