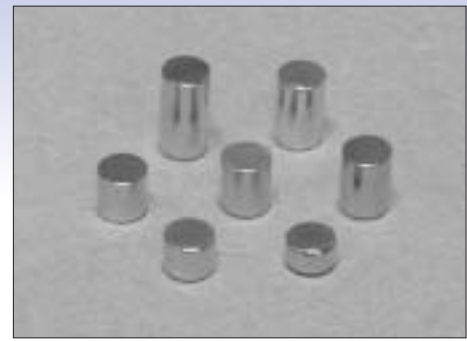


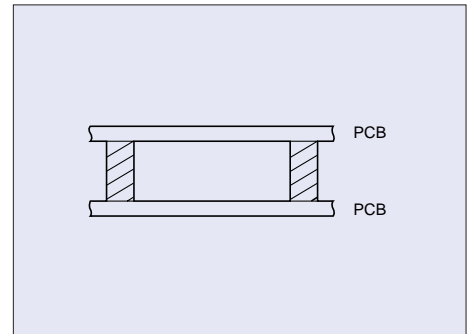
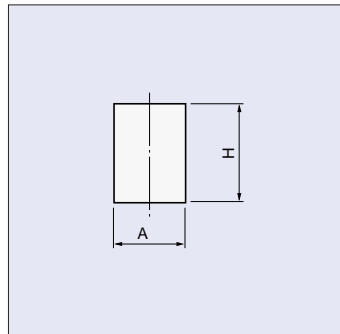
NS series / Base for SMT

Can use as board to board connector
 Can use as contact
 No limit to use
 Material.....Cu
 Finish.....Plated Au over Ni base
 Current capacity.....30A



Example

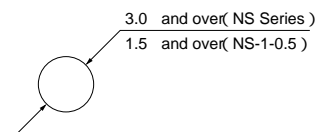
N/O	A	H	Package
NS-0.5	2.5	0.5	2000pcs/reel
NS-1.0	2.5	1.0	1500pcs/reel
NS-1.5	2.5	1.5	1000pcs/reel
NS-2.0	2.5	2.0	1000pcs/reel
NS-2.5	2.5	2.5	800pcs/reel
NS-3.0	2.5	3.0	700pcs/reel
NS-3.5	2.5	3.5	6000pcs/reel
NS-4.0	2.5	4.0	500pcs/reel
NS-5.0	2.5	5.0	300pcs/reel
NS-1-0.5	1.0	0.5	3000pcs/reel



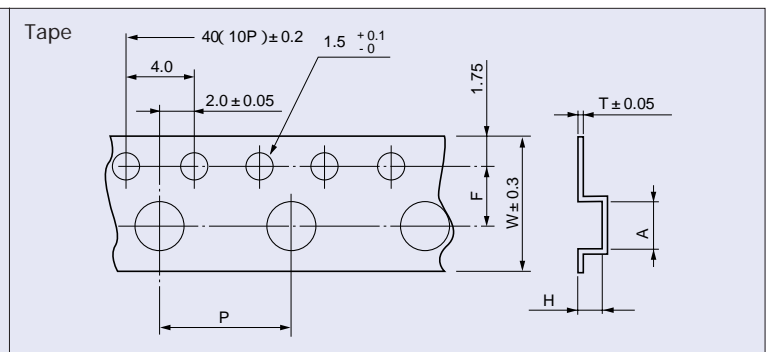
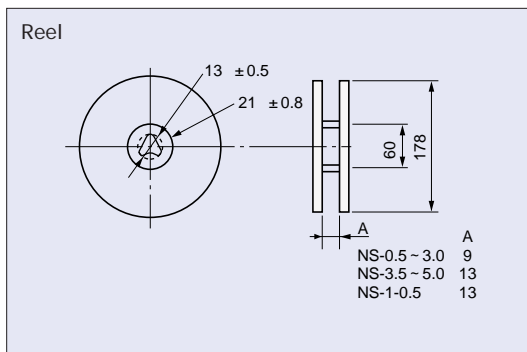
You can order bulk type

NS - 0.5 - B
 -B for bulk type
 (1000/package)

Recommended Land Diameter



Dimensions



N/O	H	A()	W	P	F	T
NS-0.5	0.7	2.7	8	8	3.5	0.3
NS-1.0	1.2	2.7	8	8	3.5	0.3
NS-1.5	1.7	2.7	8	8	3.5	0.3
NS-2.0	2.2	2.7	8	8	3.5	0.3
NS-2.5	2.7	2.7	8	8	3.5	0.3
NS-3.0	3.2	2.7	8	8	3.5	0.3
NS-3.5	3.7	2.7	12	8	5.5	0.4
NS-4.0	4.2	2.7	12	8	5.5	0.4
NS-5.0	5.2	2.7	12	8	5.5	0.4
NS-1-0.5	0.7	1.2	12	4	5.5	0.3



No.1 distributor of MAC8

SHINDENKIZAI Co., LTD.

Contact
 e-mail: sdk@mac8sdk.co.jp FAX: +81-3-3253-5965

http://www.mac8sdk.co.jp/index_e.html